

DIPOD 5M

THE DIPOD ROOFTOP SYSTEM

is a 5 m (16 ft) high fixed rooftop solution designed for installation of any kind of panel antenna, small radio link or other common telecom equipment.

FLEXIBILITY

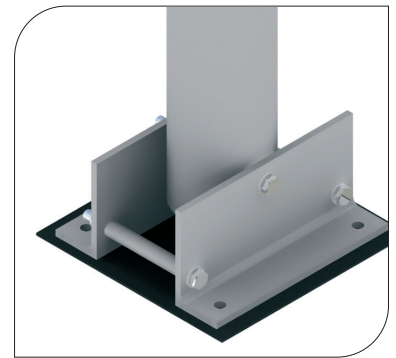
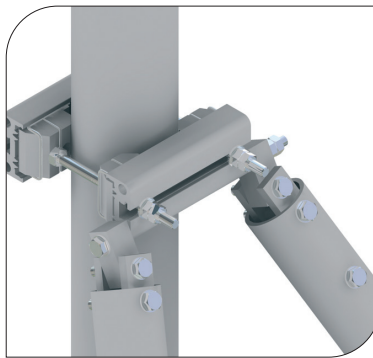
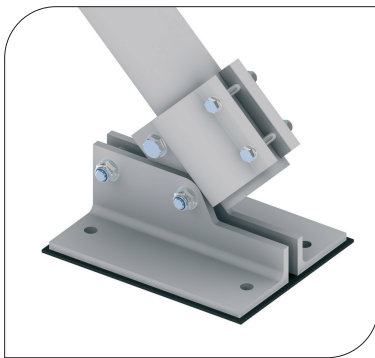
The dipodsystem is a system with the capability of handling all possible roof inclinations. The supports are bolted through the roof to ensure a firm anchoring. The antenna mounting tube is supported by two stays to ensure stability.

QUALITY

The mounting tube and support tubes with brackets are made of anodized aluminium. This gives the system excellent corrosion resistance and a long life. A 3 mm (0,12 in) EPDM rubber sheet is placed under the Supports to protect the roof.

EASY ASSEMBLY

The choice of materials makes the product very light which makes the handling and installation very easy.



ORDER AND TECHNICAL INFORMATION

DRAWING NO: CD 823117 5M S

FUNCTION DESCRIPTION: Fixed mounted rooftop, typical for installation of panel antennas, radio links or other common telecom equipment.

MECHANICAL DATA:

MOUNTING TUBE: Ø114, L=5000 (Ø4,5 in, L=197 in)	SUPPORT TUBES: Ø75, L=3900 (Ø3,0 in, L=153,5 in)	TUBES AND BRACKETS: Aluminium, Nature anodized 20µm	U-BOLTS AND FASTENERS: Acid proof stainless steel
---	--	---	---

PACKAGE DIMENSIONS:	LENGTH:	WIDTH:	HEIGHT:	WEIGHT:
PACKAGE 1	460 mm (18,1 in)	150 mm (5,9 in)	180 mm (7 in)	11,5 kg (25,3 lb)
PACKAGE 2	5000 mm (197 in)	150 mm (5,9 in)	250 mm (9,8 in)	46,5 kg (102,5 lb)

NOTE! Roof attachment bolts are not included.